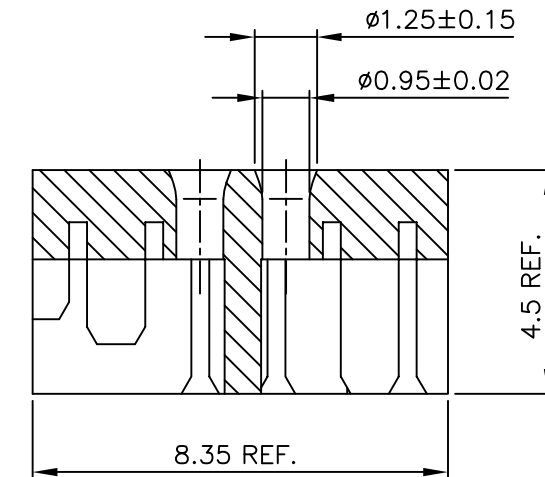
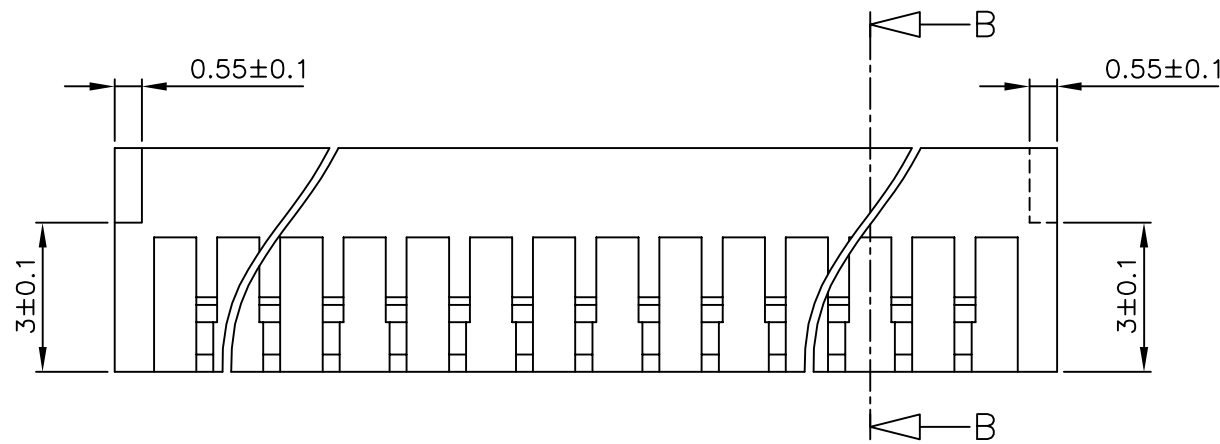
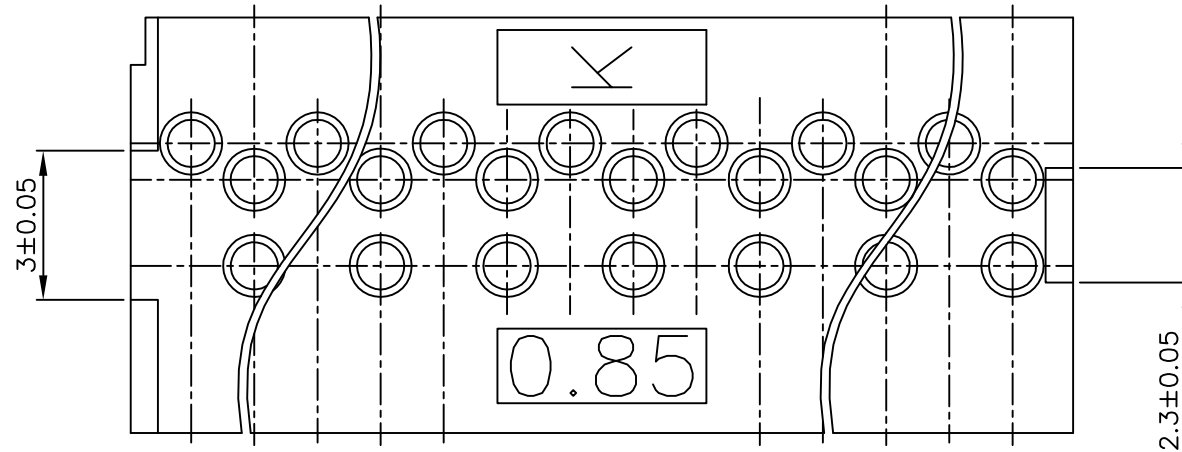


Product number	No. of Pos.	DIM W
85382-001	3 x 7	18.94
85382-011	3 x 3	8.78

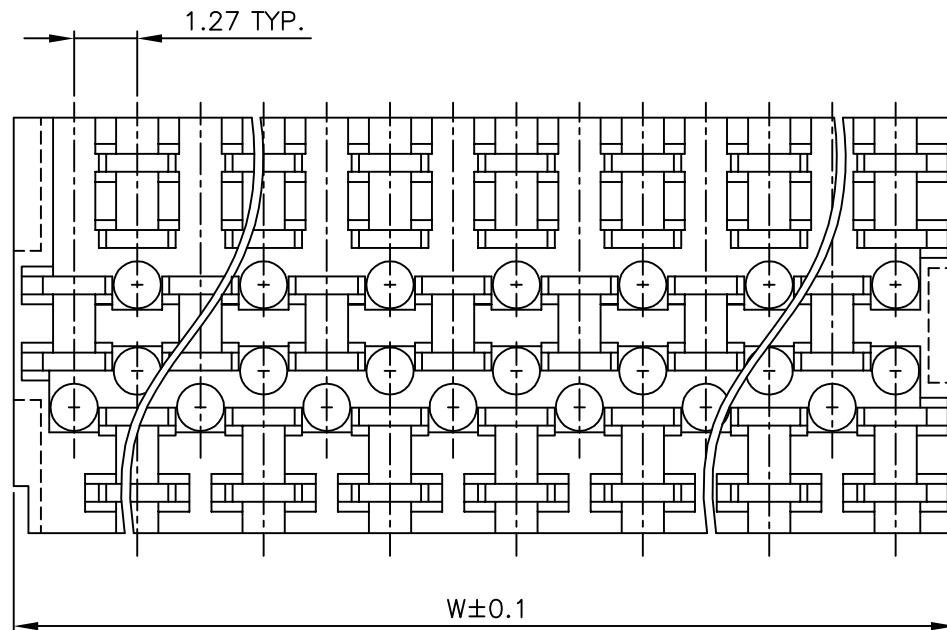
NOTES:-

1. THIS PRODUCT MEETS EUROPEAN UNION DIRECTIVES AND OTHER COUNTRY REGULATIONS AS DESCRIBED IN GS-22-008.
2. LEADFREE OR RoHS DIRECTIVE LABELLING TO BE PROVIDED AS PER GS-14-920.
3. " LF " SUFFIX TO PRODUCT NUMBER FOR RoHS COMPATIBLE/ LEADFREE VERSION.
4. PARTS WITH AND WITHOUT "LF " SUFFIX ARE FORM-FIT AND FUNCTIONALLY IDENTICAL. " LF " SUFFIX PROVIDED FOR PART NUMBER STANDARDISATION OF PART THAT MEETS RoHS REQUIREMENTS.



Section B-B

MATERIAL: THERMOPLASTIC POLYESTER
 GREY, 30% GLASS FILLED
 FLAME RETARDANT UL-94-V0



mat'l. code		surface		tolerance		projection		product family	
SEE NOTE		ISO 1302	✓	ISO 406	ISO 1101			BACKPANEL	
ltr	ecn no	dr	date	tolerances unless otherwise specified		mm		title	
A	H50590	DDB	1995-10-12	angles	linear	mm		PIERCE BLOCK CABLE DIA 0.85 mm	
B	I05-0123	MINI	2005-07-27			scale -			
C	I05-0248	MINI	2005-11-22						
D	I06-0083	MINI	2006-06-01	dr	D.de BIL	1995-10-12		dwg no	
				enrg	M.LOMAN	1995-10-12		sheet 1 of 1	
				chr	RAKHEE GEORGE	2005-11-22		85382	
				appd	RAKHEE GEORGE	2005-11-22		size A3	
sheet index		revision	D					type Product Customer Drawing	
		sheet	1						